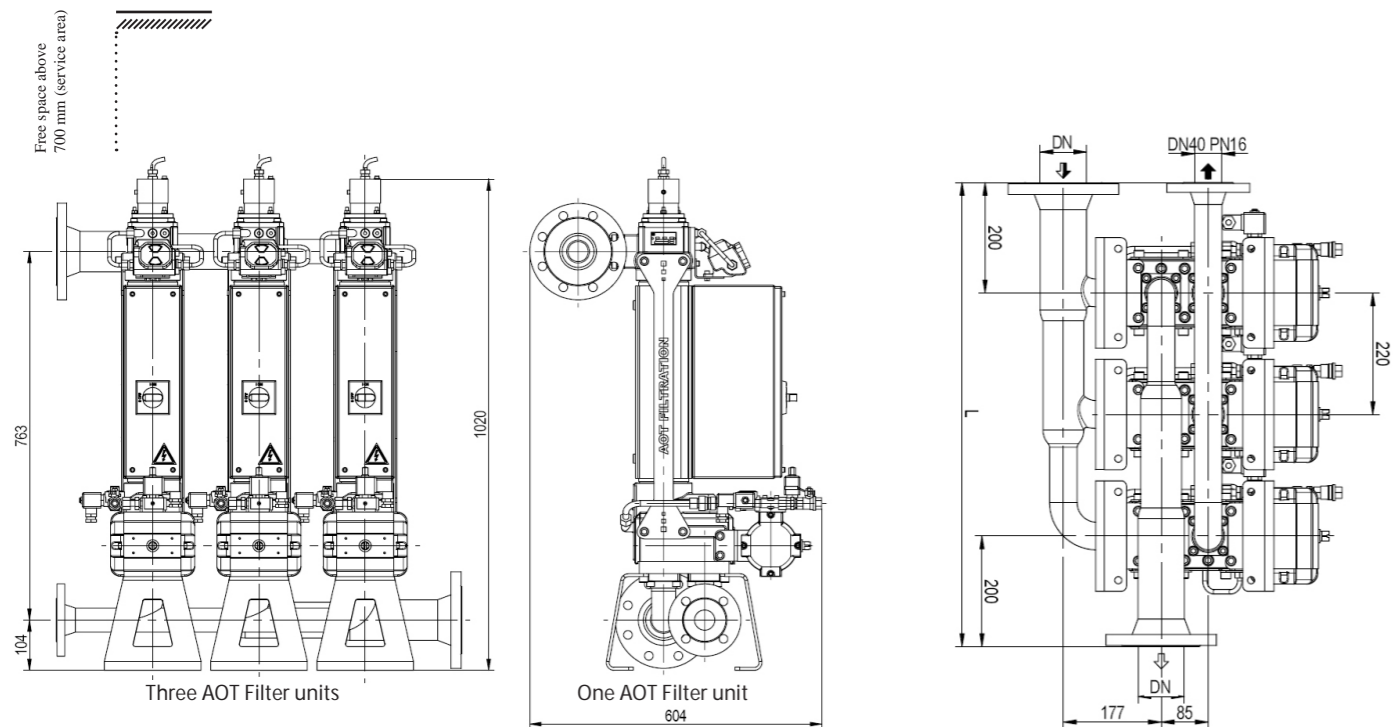


efS^Sf[a` aXl S^W[ge3AF 8[1Vd



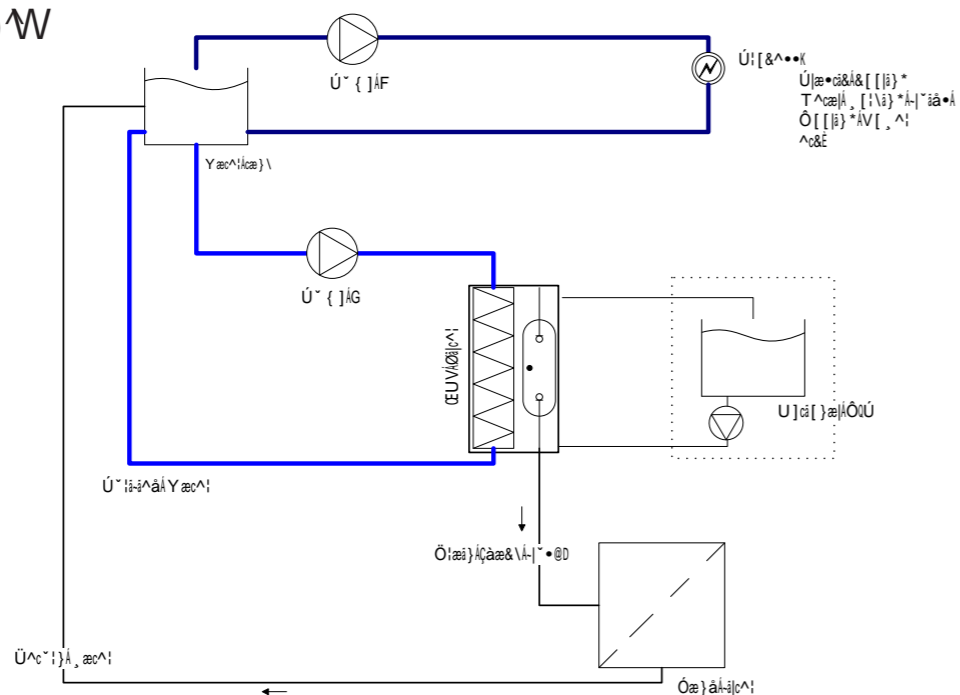
6[ Weja` e

3AF 8[1Vd] #	&)	#" \$"	\$&)"	(" &
3AF 8[1Vd] \$	#" \$	#" \$"	&("	(" &
3AF 8[1Vd] %	#" \$	#" \$"	(" *	(" &
6d[hv]LUST[ W	@!3	&"	#"\$"	#*"
5a` fcb^UST[ W	\$"	' ""	' "\$"	\$#"

Connections

3AF 8[1Vd] #	>/_ fi	6[ Weja` e
3AF 8[1Vd] \$	\$&"	6@&" B@#(
3AF 8[1Vd] %	&\$"	6@'" B@#(
	*&"	6@(' B@#(

efS^Sf[a` vjS\_ b^W



8ad\_adM[ Xad\_Sf[a` STagfI S^W[ge3AF 8[1Vd]S VI S^W[ge3AFI La` fSUF kag `aUS^V[efdTgfadadI S^W[geI SfVd [ Xa2I S^W[geI SfVdLa\_ adI i i z S^W[geI SfVdLa\_ !5A@F35F!



I 3>>7@GEI 3F7D34I 3D8H@97EH9%8I E#S' #EFA5=- A>? !EI 767@  
 B: A@7,t.&(\* #S' #%" "" 83J,t.&(' '\$) '\$\$++  
 7Z 3:>[ Xa2I S^W[geI SfVdLa\_ i i i z S^W[geI SfVdLa\_



I S^W[ge3AF 8[1Vd

Z\_ WZS` [US^ 1Vd] Y S` VT[a^aY[US^S` VUZW\_ [US^WVa\_ baef[a` aX  
 ba^gfS` fe[ fZW SfVdI [fZagfSVV[ YUZW\_ [US^z

The AOT Filter is a superb combination of three water purification methods

t3` SVhS` UW aj [VSf[a` fVZ` a^aYk ZI S^W[ge3AF Xa\_ I S^W[geI SfVd  
 t3` " \_ [Lb` Xg^k Sgfa\_ SfVd eWUVS` [ Y` fVdXa\_ 4a^" =dLZ 8[1Vd]Sg  
 t3 V[e] WUV[ Y GH fYZf

Chemical free water treatment

t? WZS` [US^ 1Vd] Y aXbSd[UW^O` " \_ [Lb`  
 t6WVa\_ baef[a` aXUZV\_ [US^ba^gfS` fe  
 t6WVa\_ baef[a` aXT[a^aY[US^ba^gfS` fe

7 Vd^kZS` V LbefZV U[V f ea^gf[a`

t5gefa\_ [eWaj [VSf[a` W WUV[ SUad/S` UW [fZ fZWVdWVaXba^gf[a` t ai S` V  
 fgd[V[fk  
 tE\_ S^Xaafbd[ f  
 t? aVg^Sdtk [ efS^W [ ` W adVj[ef[ Y ekefV\_ e  
 t8W \_ ah[ Y bSdfe `a` Y fXV\_ W

Accessories

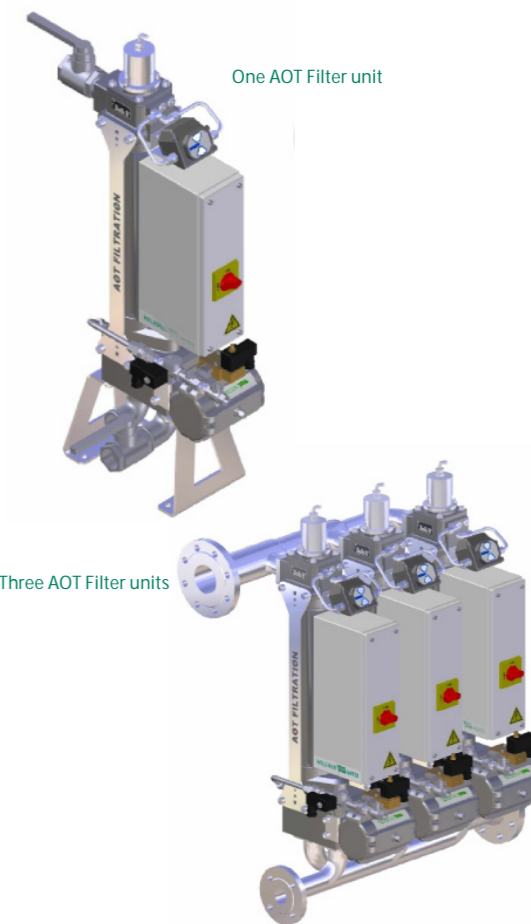
t3` abf[a` S^5;B/5^S` [ YZ` ZB^SUMibcdVgUf [ fVdSfVd i [fZ fZW3AF g` [f fa  
 eL\_ b^k abVdSf[a`

Areas of application

- tBdLUWei SfVd
- t5aa^f Y bcdLUWei SfVd
- t5aa^f Y fai Vd
- t;dt[YSf[a` i SfVd
- tI SefVd SfVd

Control functions

- t5;B/abf[a` S^fi
- t>S\_ b Zagde t^Sd
- t7j fVd S^bg\_ be
- t4SU\_ geZ[ Y abVdSf[a` e



Technical specifications

ZFkb[US^ZkVdSg [ui SfVd ai	# ZS`_%h
Z>S_ bel_ Sj W WUV,	#&" I
Z>S_ bel hSdST` W WUV,	)"" Z#&" I
ZBai Vlegbb^k,	\$"" Z&" H35I' " : I
Z? Sj abVdSf[a` bdVegdV	#" TSd
ZBdVegdWcb2\$`_%Z,	. "I' TSd
ZI SfVdVW_ bWsfgdV	#Z&" »5
Z3_ T[W f fVW_ bWsfgdV	&Z&" »5
Z;B,	('
Z8[1Vd] ` W WVe,	' " _ [Lb`
Z: ? ;,	%*S
Z3[dbdVegdV	(Z) TSd

